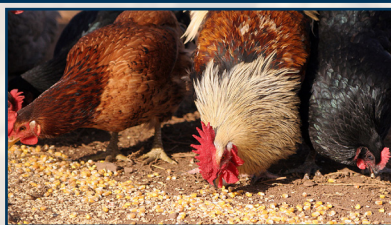
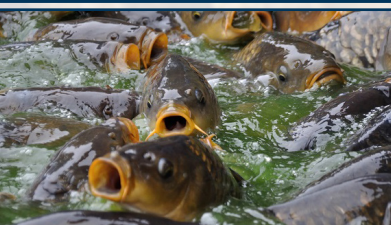
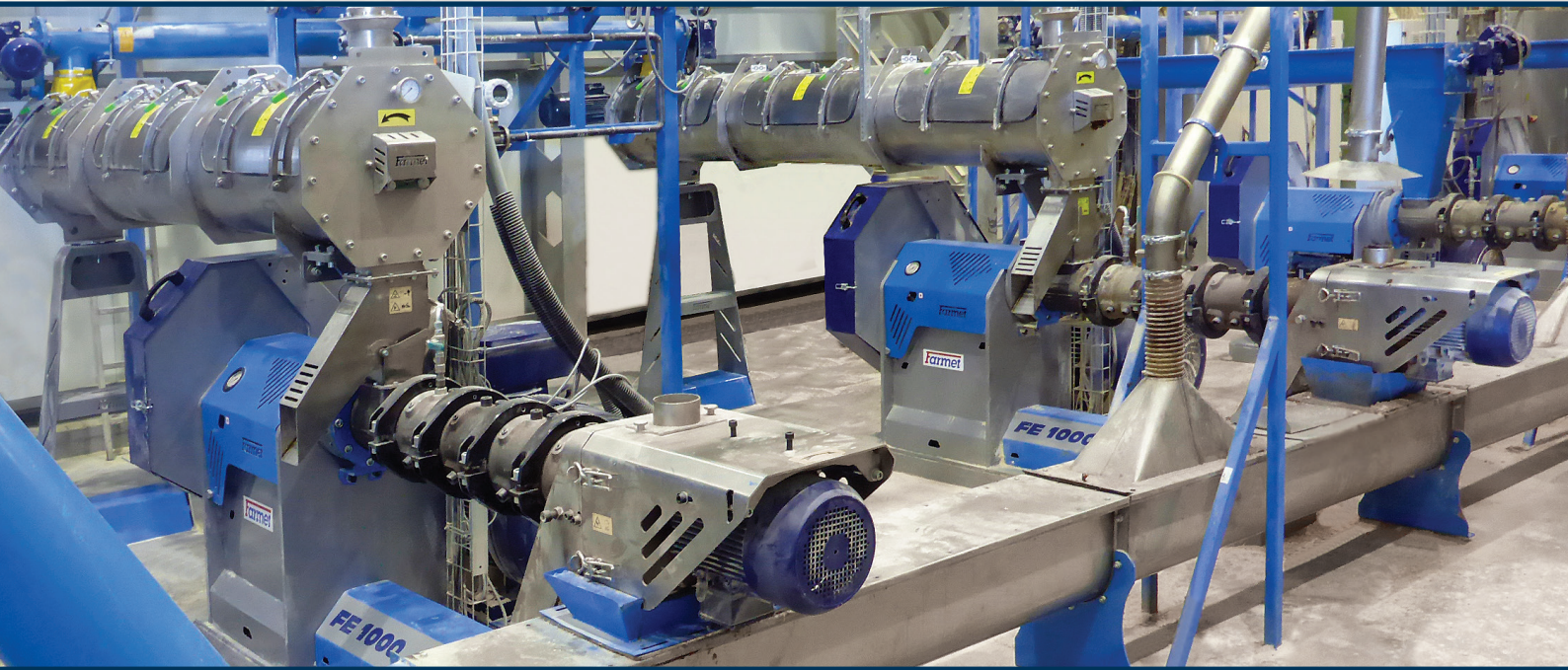


The effective technology

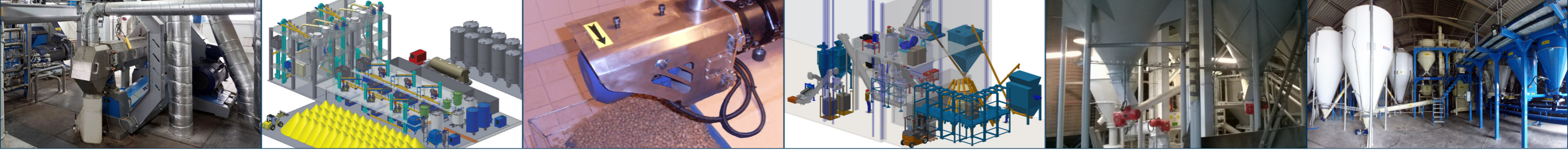
Farmet[®]

FARMET TECHNOLOGY – PRODUCE YOUR OWN FEED

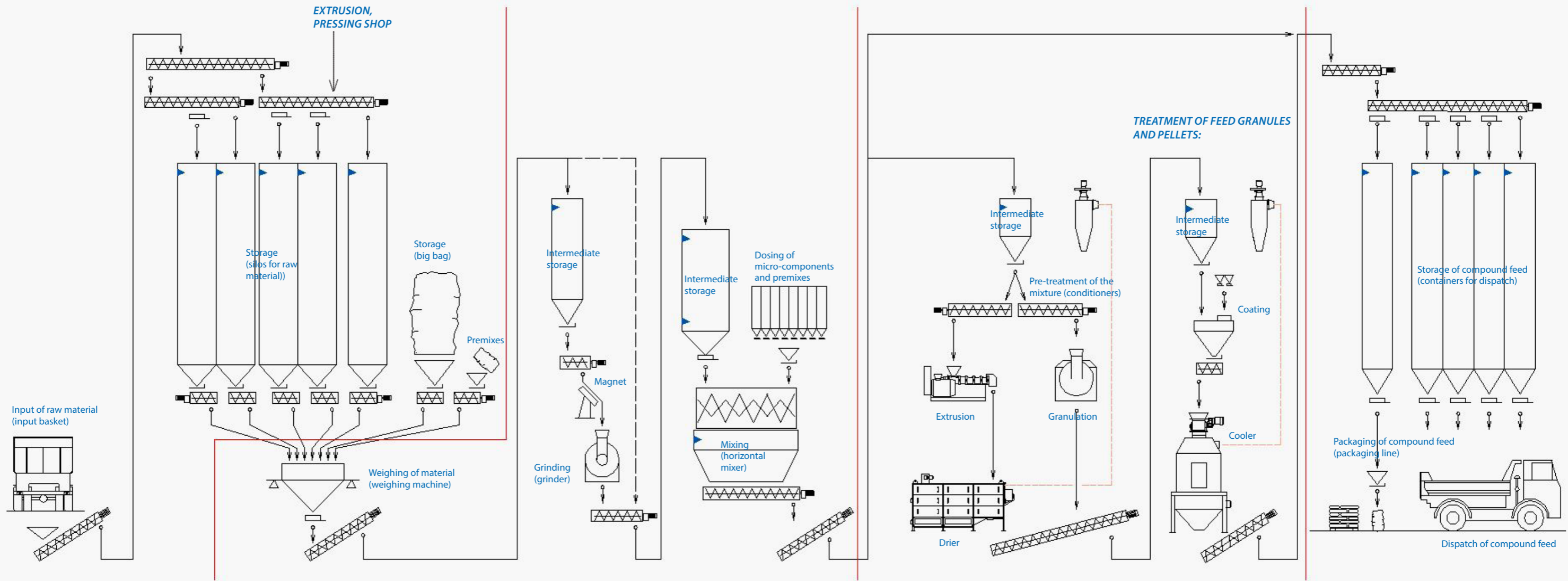


AQUA FEED, POULTRY FEED, CATTLE FEED, SWINE FEED, PETFOOD...

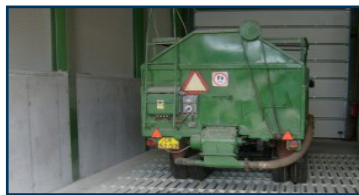
OIL & FEED TECH



TURNKEY FACILITY FOR COMPOUND FEED PRODUCTION



TECHNOLOGY FOR COMPOUND FEED PRODUCTION FACILITIES CONSISTS OF THE FOLLOWING PARTS:



Input of raw material
Input baskets (above-ground or under-ground) facilitate an effective loading of feed components.



Storage
The storage containers and silos are designed to correspond with the overall production capacity of the technology as well as the number of feed ingredients. Some ingredients may be stored in big bags or sacks.



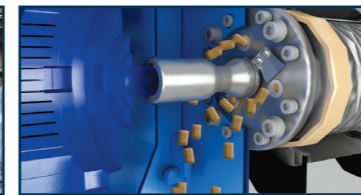
Weighing and grinding
A precise weighing of the individual ingredients of the feed mixtures and grinding down to a desired particle size.



Mixing with dosing of premixes and micro-components
Perfect mixing with a precise mixing ratios up to 1:100,000.



Feed mixture pre-treatment
Optimization of temperature and humidity in a steam conditioner before extrusion and before granulation. Conditioning increases the performance of the extruder/granulator and has a positive impact on nutritional values of the compound feed.



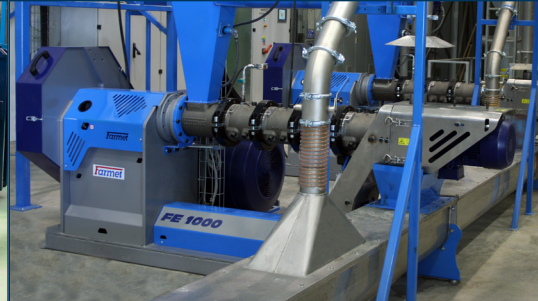
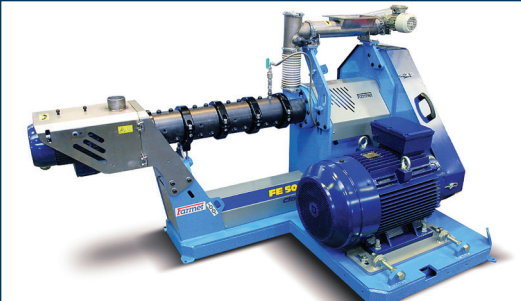
Extrusion and granulation
Shaping the feed mixture into a granular form in an extruder, or into pellets in a granulator. Extrusion offers a higher variability in the used raw material as well as a higher-quality end product.



Granule/pellet treatment
Decreasing the moistness and temperature down to storage values via drying and cooling, with an optional application of fat, vitamins, medication, enzymes and colourants of the coating technology.

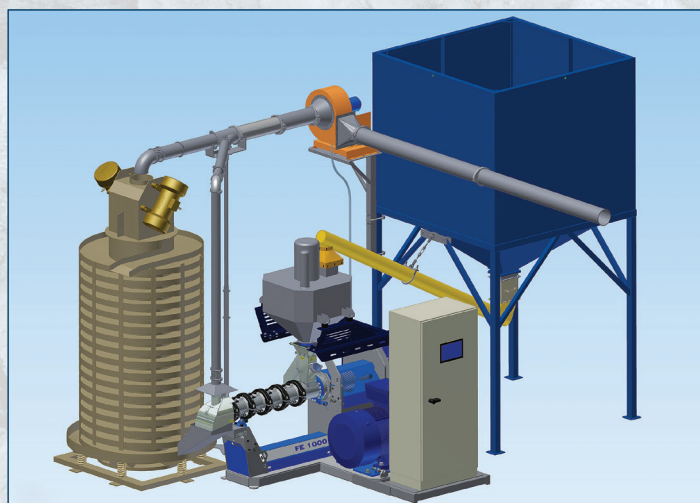


Storage, packaging and dispatch of completed compound feed
Storage in containers, compatible with loading of trucks, prior to dispatch. Mixtures can be dispatched directly or packed in sacks or big bags.



ADVANTAGES OF EXTRUDED FEED:

- The feed is tastier and easier to digest
- A reduced amount of anti-nutritional substances
- A higher nutritional value compared to non-extruded material; a more effective use of the most valued nutrients
- Higher weight gains
- Extended storage life
- Granules of various sizes and qualities, stable in water (e.g. they can either float, or sink slowly or quickly)



SOYA PROCESSING WITH EXTRUSION

Soybean extrusion gives you a high-quality feed component with a reduced content of anti-nutritional substances and an increased content of by-pass protein.

Soy is valued mainly for its high content of proteins; these are denatured during extrusion, which increases their digestibility for all categories of livestock.



	Raw soybean	Extruded soybean	Extruded and pressed soybean	Extracted soybean meal
Moisture	12 %	7 %	5 %	12 %
Fat	21 %	21 %	7 %	2 %
Urease activity	2–10 pH	0,02–0,3 pH	0,02–0,3 pH	0,02–0,3 pH
Trypsin inhibitor	75–115 mg/g	2–5 mg/g	2–5 mg/g	2–5 mg/g
Protein	40	40	43–45	40–48

Soybean – transformation of protein fractions in ruminants (according to the Cornell system)

Fraction	Before extrusion	After extrusion	
A	2 %	2,1 %	Nitrogen of non-protein origin
B1	85 %	19,4 %	Completely degraded in the rumen
B2	10 %	76,8 %	Slowly degraded in the rumen; portions proceed to the small intestine
B3	2 %	0,4 %	Not degraded in the rumen; completely proceeds into the small intestine
C	1 %	1,3 %	Non-degradable nitrogen-containing substances

Farnet a.s., Jiřinková 276
552 03 Česká Skalice
Czech Republic

Phone: +420 491 450 116
Fax: +420 491 450 129
E-mail: oft@farnet.cz

www.farnet.eu

