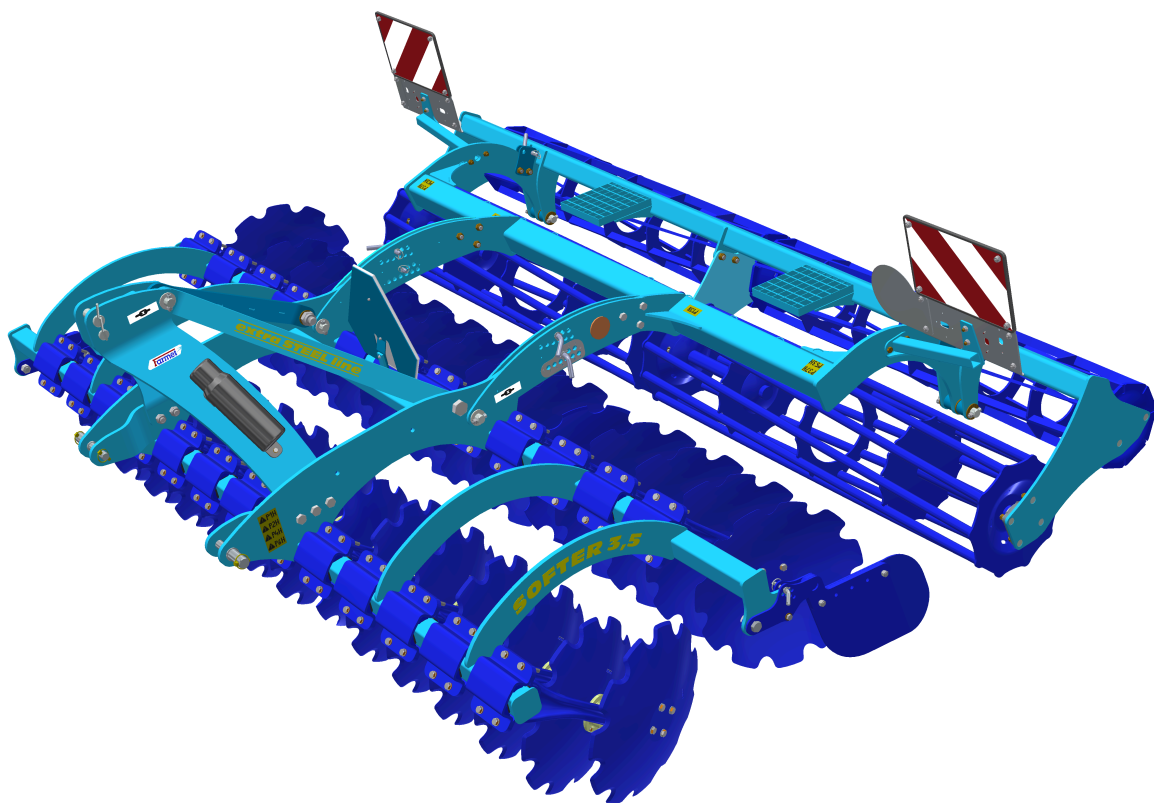


# OPERATING MANUAL

## **SOFTER**

**2,5 N | 3 N | 3,5 N**



Edition: 7

Effective from: 01.01.2025

FARMET a.s.  
Jiřinková 276  
552 03 Česká Skalice, CZ

phone: +420 491 450 111  
GSM: +420 774 715 738

Id. No.: 46504931  
Tax Id. No.: CZ46504931

web: [www.farmet.cz](http://www.farmet.cz)  
e-mail: [dzt@farmet.cz](mailto:dzt@farmet.cz)

**Prepared by: Technical Department, Farmet a.s.**  
on 11.02.2025, changes reserved

# PREFACE

Dear customer,

The agricultural machine you have purchased is a high-quality product of Farmet a.s. Česká Skalice. You can fully utilise the advantages of your machine after thoroughly studying the operating manual.

The serial number of the machine is punched on the production label and written in the operating manual (Your Machine Characteristics). This machine serial number must be stated whenever ordering spare parts for possible repairs. The production label is located on the frame.

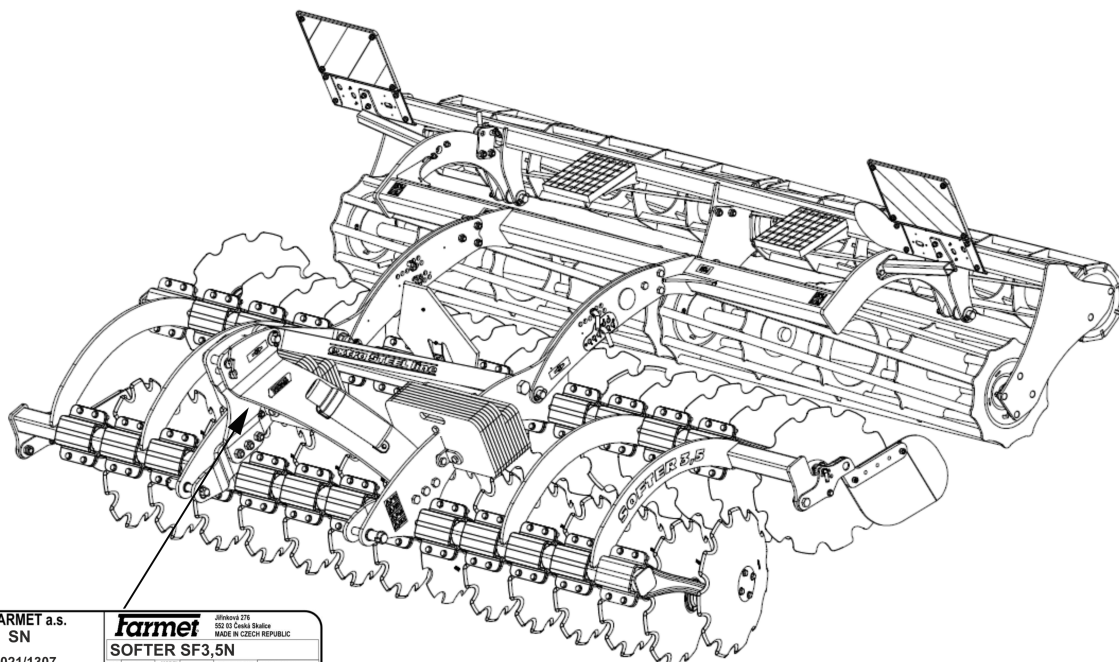
Use only spare parts for these machines according to the **Spare parts catalogue** officially issued by the manufacturer, Farmet a.s. Česká Skalice.

### Possibilities of Use of the Disc Plough-harrow

The **SOFTER** disc plough-harrow is intended for ploughing all types of soil up to the depth of 130 mm (5,12 in).

### Your Machine Characteristics :

MACHINE TYPE :  
 MACHINE SERIAL NUMBER :  
 SPECIAL DESIGN OR ACCESSORIES :

FARMET a.s. SN		2021/1307		0 kg		A-0: 0 kg		A-1: 0 kg		A-2: 0 kg		A-3: 0 kg	
<b>Farmet</b>		SOFTER SF3,5N		1895 kg		T-1		T-2		T-3		CE ERIC	
ROW/ ŘADA	2021	MODEL/ MODEL	2017	CELK. HROUŠT/ TOTAL WEIGHT	1895 kg	B-1		B-2		B-3		B-4	

**IMPORTANT**

**READ CAREFULLY BEFORE USE**

**KEEP FOR FUTURE REFERENCE**

## Contents

PREFACE .....	3
1 MACHINE LIMIT PARAMETERS .....	7
1.1 Technical parameters.....	8
1.2 Safety statement.....	8
2 GENERAL INSTRUCTIONS FOR USE .....	9
3 MACHINE TRANSPORT USING TRANSPORT MEANS .....	11
4 MACHINE HANDLING USING LIFTING EQUIPMENT .....	12
5 WORK SAFETY LABELS .....	13
6 DESCRIPTION.....	16
6.1 Working parts of the machine .....	16
7 MACHINE ASSEMBLY AT THE CUSTOMER.....	17
8 COMMISSIONING.....	18
8.1 Agregation to a tractor .....	19
9 MACHINE TRANSPORT ON ROADS.....	20
10 MACHINE ADJUSTMENT .....	21
10.1 Adjusting the working depth of the machine.....	22
10.2 Setting side deflectors and edge discs.....	24
11 MACHINE MAINTENANCE AND REPAIRS.....	25
11.1 Replacement of the working roller bearings .....	26
11.1.1 Using the tool for bearing disassembly and assembly .....	27
11.1.2 Using spacers .....	31
12 MACHINE STORAGE.....	32
13 MACHINE LUBRICATION SCHEDULE .....	33
14 ENVIROMENTAL PROTECTION .....	34
15 MACHINE DISPOSAL AFTER SERVICE LIFE EXPIRY .....	35
16 SERVICING AND WARRANTY CONDITIONS .....	36
16.1 Servicing.....	36
16.2 Warranty .....	36



## 1 MACHINE LIMIT PARAMETERS

- The machine is designed for soil ploughing up to a depth of 13 cm (5,12 in) when agricultural soil cultivation. Another type of use exceeding the determined purpose is forbidden.
- The machine is only operated by one person – the tractor driver.
- Machine operator must not use the machine in a different way, especially:
  - transport of persons and animals on the machine structure,
  - transport of burdens on the machine structure,
  - aggregation of the machine with another towing equipment than stated in Chapter 8.1.

## 1.1 Technical parameters

PARAMETERS		SOFTER 2,5 N	SOFTER 3 N	SOFTER 3,5 N
Working width		2,55 m (8,37 ft)	3 m (9,84 ft)	3,5 m (11,48 ft)
Transport width		2,55 m (8,37 ft)	3 m (9,84 ft)	3,5 m (11,48 ft)
Transport height		1,42 m (4,66 ft)		
Machine total length		2,75 m (9,02 ft)		
Working depth		3,5–13 cm (1,38-5,12 in)		
Number of discs ø510mm (ø20in) / ø560mm (ø22in)	front	10	12	14
	rear	10	12	14
Working performance		2,5 – 3,8 ha/h (6,2 – 9,4 ac/h)	3 – 4,5 ha/h (7,4 – 11,1 ac/h)	3,5 – 5,3 ha/h (8,6 – 13 ac/h)
Towing means		65 – 100 kW (90 – 140 HP)*	80 – 120 kW (105 – 160 HP)*	90 – 140 kW (120 – 190HP)*
Working speed		10–15 kph (6 - 9,5 mph)		
Maximum transport speed		30 kph (18,6 mph)		
Maximum slope grade		11 (°)		
Machine weight		1 800 kg (3 968 lb) **	1 980 kg (4 365 lb) **	2 300 kg (5 071 lb) **

\*Recommended towing means, the real towing force may significantly vary according to the processing depth, soil conditions, land slope, working body wear and adjustment

\*\* Weight with LTX roller (without the additional weight of 350 kg)

## 1.2 Safety statement



This warning sign warns about an immediate dangerous situation ending with death or severe injury.






This warning sign warns about a dangerous situation ending with death or severe injury.



This warning sign warns about a situation that may end with a smaller or slight injury. It also warns about dangerous actions related to the activity that could lead to an injury.



## 2 GENERAL INSTRUCTIONS FOR USE

- The machine is made in accordance with the latest equipment state and approved safety regulations. However, dangers of user or third person injury or machine damage or creation of other material damage may arise during use.
- Use the machine only in a technically sound condition, in accordance with its purpose, aware of possible dangers, and while adhering to the safety instructions of this operating manual !!!  
The Manufacturer is not liable for damages caused by the use of the machine that is in contradiction with the limit parameters of the machine and with the instructions for the use of the machine (Chapter 2 and 8). The User bears the risk.  
Immediately remove especially the failures that may negatively affect safety!
- Machine operation may be performed by a person authorised by the operator under these conditions:
  - It must own a valid driver's licence of the corresponding category,
  - It must be demonstrably familiarised with the safety regulations for work with the machine and must practically master the machine operation,
  - The machine may not be operated by juveniles,
  - It must know the meaning of the safety signs located on the machine. Their respecting is important for safe and reliable machine operation.
- Maintenance and servicing repairs on the machine may only be performed by a person :
  - Authorised by the operator,
  - Educated in the machinery field with knowledge of repairs of similar machines,
  - Demonstrably familiarised with safety regulations for work with the machine,
  - During a repair of a machine connected to a tractor, it must own a driver's licence of the corresponding category.
- Machine operator must secure the safety of other persons when working with the machine or transporting the machine.
- During machine work in the field or during transport, the operator must control the machine from the tractor's cabin.
-  The operator may enter the machine structure only with the machine at rest and blocked against movement, namely only for these reasons:
  - Adjustment of the machine working parts,
  - Repair and maintenance of the machine,
-  When stepping on the machine, do not step on roller tyres, discs or other rotary parts. Those may turn and you can cause very serious injuries by the subsequent fall.
-  Any changes or modifications of machine may be performed only with written consent of the manufacturer. For possible damage arisen due to ignoring this instruction, the producer bears no responsibility. The machine must be maintained equipped with prescribed accessories and equipment including safety marking. All warning and safety signs must be legible and in their places. In case of damage or loss, these signs must be immediately renewed.
- The operator must have the Operating Manual with the work safety requirements available at any time when working with the machine.



- The operator must not consume alcohol, medicines, narcotic and hallucinogenic substances that decrease his attention and coordination capabilities while using the machine. If the operator must use medicines prescribed by a physician or uses freely sold medicines, he must be informed by a physician, whether he is capable of responsible and safe operation of the machine under these circumstances.


**Protective equipment :**

For operation and maintenance, you need :


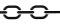
- Tight clothes
- Protective gloves and goggles for protection against dust and sharp parts of the machine



### 3 MACHINE TRANSPORT USING TRANSPORT MEANS

- The transport means designed for machine transport must have the load capacity minimally identical with the weight of the transported machine. The total weight of the machine is stated on the production label.
- The dimensions of the transported machine including the transport means must comply with the valid regulations for road traffic (decrees, laws).
-  The transported machine must be always fastened to the transport means so that its spontaneous loosening could not happen.
- The carrier is responsible for damage caused by the loosening of incorrectly or insufficiently fastened machine to the transport means.

## 4 MACHINE HANDLING USING LIFTING EQUIPMENT

- The lifting equipment and tying means designed for handling of the machine must have their load capacity at least identical with the weight of the handled machine.
-  Machine fastening for handling may only be performed in places designed for that and marked with self-adhesive labels showing the "chain" symbol. 
- After fastening (suspending) at designated points, it is forbidden to move in the space of possible reach of the handled machine.

## 5 WORK SAFETY LABELS

The warning safety labels protect the operating staff

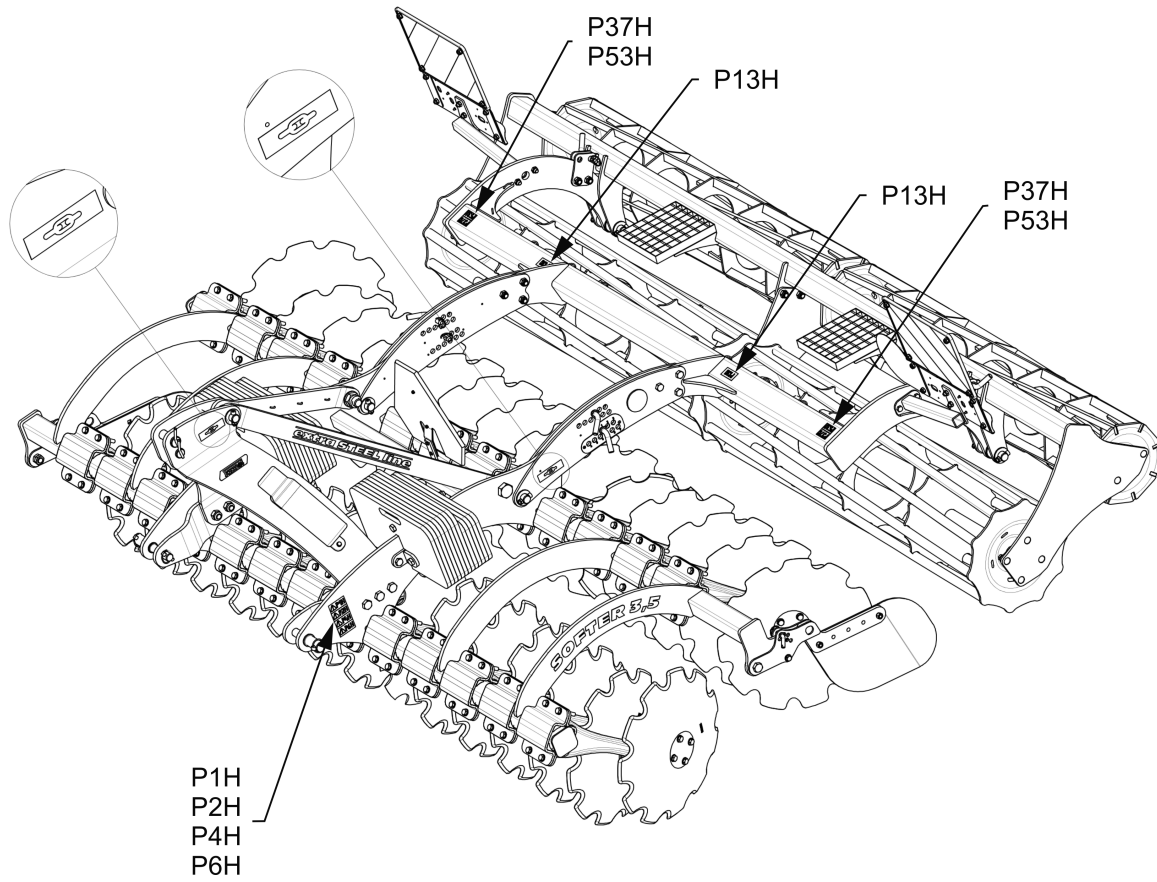
The following applies in general :

- Strictly observe the warning safety labels.
- All safety instructions also apply to other users.
- If the "SAFETY LABEL" located on the machine gets damaged or destroyed, THE OPERATING STAFF MUST REPLACE THE LABEL WITH A NEW ONE !!!
- The position, appearance and the precise meaning of the work safety labels on the machine are defined in the following tables and the figure.

WARNING SAFETY LABEL	LABEL TEXT	MACHINE POSITION
	<p>Before handling the machine, carefully read the operating manual. Observe the instructions and safety regulations for machine operation during use.</p>	<b>P 1 H</b>
	<p>When connecting or disconnecting, do not step between the tractor and the machine, also do not enter this space, if the tractor and the machine are not at rest and the engine is not turned off.</p>	<b>P 2 H</b>
	<p>Stay out of reach of the drawn-up machine. (SF4,5-6NS, SF-2,5-3,5N)</p>	<b>P 4 H</b>
	<p>Stay outside the reach of the tractor - agricultural machine set, if the tractor engine is in operation.</p>	<b>P 6 H</b>
	<p>Secure the side frames with the connecting rod prior to transport (4,5-6NS, SF4,5-11PS, SF9-12PSW). Before commencing the machine transport, secure the axle with spherical valves against unexpected drop (4,5-6PS, 8-11PS, 9-12PSW). The frame of the twin roller must be secured with the stopper for transport. (SF 2,5N-SF3,5N).</p>	<b>P 13 H</b>
	<p>When folding the side frames, do not reach into the space of the machine folding joints. There is a danger of cutting when setting the depth of the machine.</p>	<b>P 20 H</b>

	Travelling and transport on the machine structure is strictly forbidden.	<b>P 37 H</b>
	When working and transporting the machine, maintain safe distance from the electric appliances	<b>P 39 H</b>
	The pressure vessel is under gas and oil pressure. Execute disassembly and repairs only according to the instructions in the manual. (SF-8-11PS)	<b>P 42 H</b>
	When folding and unfolding the side frames, stay outside their reach.	<b>P 50 H</b>
	Secure the machine against unwanted movement by positioning on its working bodies.	<b>P 52 H</b>
	Stay outside the reach of the tractor - agricultural machine set, if the tractor engine is in operation.	<b>P 53 H</b>
	Before commencing the machine transport, secure the axle with spherical valves against unexpected drop.	<b>P 100 H</b>
	The shown positions of the lever and the function of the hydraulic spherical valve located on the piston rod. (SF4P-11PS, 9-12PSW)	<b>P 101 H</b>

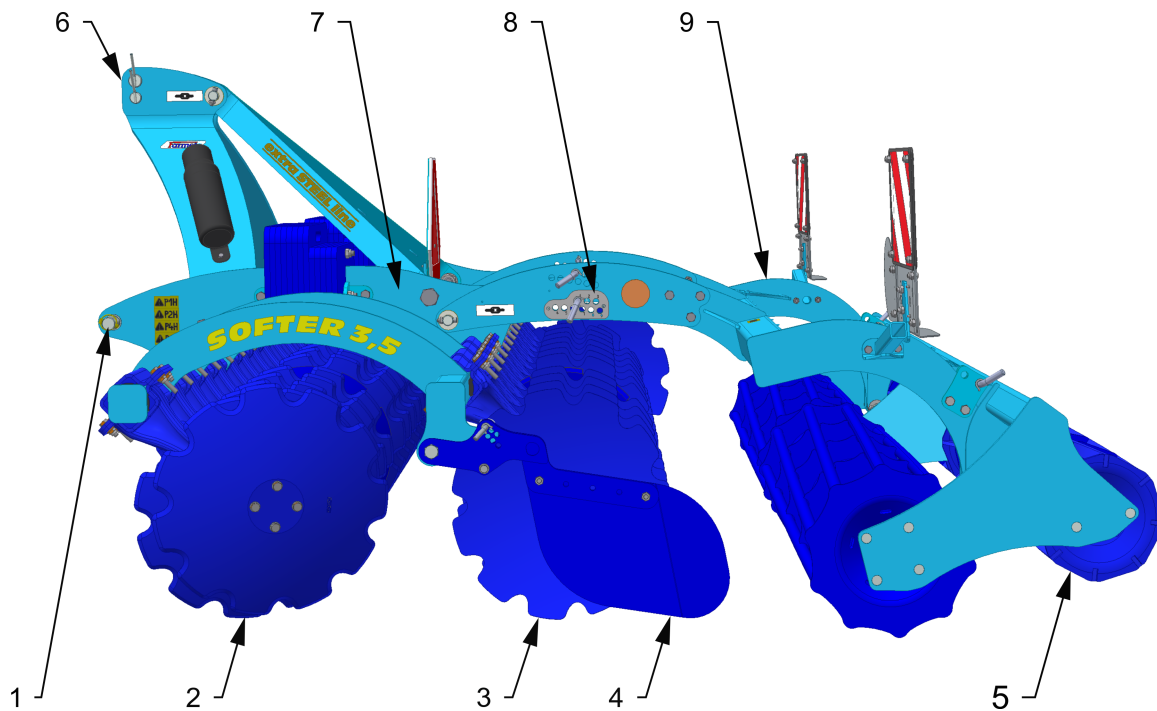
Fig. 1 - Location of safety labels on the machine



## 6 DESCRIPTION

The **SOFTER 2,5; 3 - 3,5 N** machine is structurally designed as a mounted machine. The disc plough-harrow consists of a three-point suspension TPS 2 and 3, frame fitted with working discs in two rows. The discs of the SOFTER machines are secured with automatic rubber safeguards. There is also a rear frame which is freely-suspended from the frame and fitted with an appropriate roller.


### 6.1 Working parts of the machine



- 1 – TPS towing suspension
- 2 – Front disc row
- 3 – Rear disc row
- 4 – Side deflector
- 5 – Roller
- 6 – Three-point suspension
- 7 – Supporting frame
- 8 – Setting the depth of the rollers
- 9 – Rear frame rollers



## 7 MACHINE ASSEMBLY AT THE CUSTOMER

- The operator must perform the assembly according to the instructions of the producer, best in cooperation with the expert servicing technician determined by the producer.
-  The operator must secure a functional test of all assembled parts after the completion of the machine assembly.
- The operator must secure that the handling of the machine using lifting equipment during its assembly is in accordance with chapter „4“.

## 8 COMMISSIONING



- Before taking over the machine, test and check, whether damage occurred during transport and whether all parts contained in the bill of delivery were supplied.
- Before commissioning the machine, carefully read this operating manual, especially Chapters 1–5. Before the first use of the machine, familiarise yourselves with its controls and overall function.
- During work with the machine, observe not only the instructions of this operating manual but also generally valid regulations of work safety, health protection, fire and transport safety, and environmental protection.
- The operator must check the machine before every use (commissioning) from the standpoint of completeness, work safety, work hygiene, fire safety, transport safety, and environmental protection. A machine showing signs of damage must not be commissioned.
- Aggregation of the machine with the tractor is to be performed on a flat and hardened surface.
- When working on slopes, observe the lowest allowable slope grade of the set **TRACTOR - MACHINE**.
- Before starting the tractor motor, check whether no person or animal is in the working space of the set and push the warning sound signal.
- The operator is responsible for the safety and all damage caused by the operation of the tractor and the connected machine.
- The operator is obliged to adhere to the technical and safety regulations of the machine determined by the producer when working.
- The operator is obliged to retract the working bodies of the machine from the ground when turning at the headland.
- The operator is obliged to observe the prescribed working depths and speeds stated in the manual in. chap.1.
- The operator is obliged to lower the machine to the ground and secure the set against movement before leaving the tractor cabin.

**DECREASE OF SOIL PRESSURE TO A VALUE LOWER THAN 200 KPA (29 PSI)**

To decrease the specific pressure on soil (lower than 200 kPa / 29 Psi) at the turns on the headland, raise the machine on the pole by using the hydraulic tractor shoulders and rear rollers. Turn around when the machine is unfolded and resting on rollers.

### 8.1 Agregation to a tractor

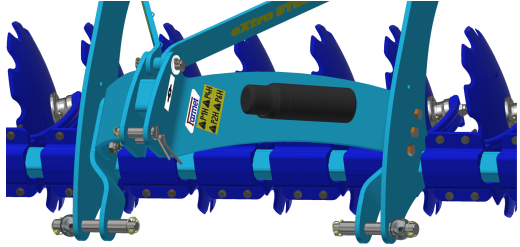
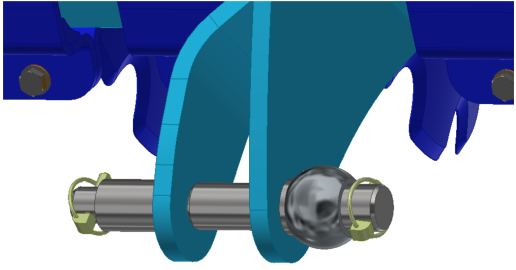
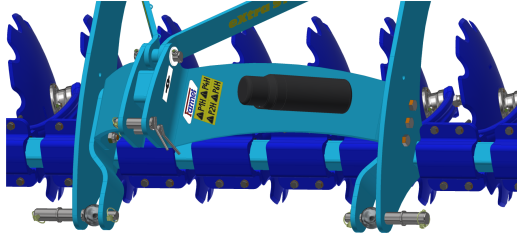
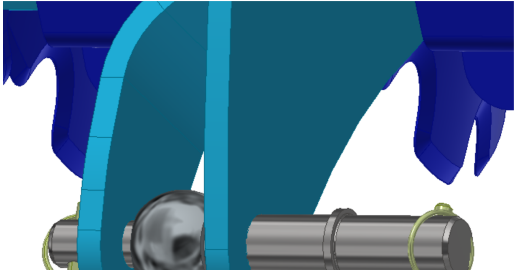
- The machine can be connected only to a tractor, whose curb weight is identical or higher than the overall weight of the connected machine.
- The machine operator must observe all generally valid regulations of work safety, health protection, fire safety, and environmental protection.
- The operator may connect the machine exclusively to a tractor that is equipped with a rear three-point suspension and a functional undamaged hydraulic system.
- The table of requirements for the towing means for work with the machine :

Requirement for the tractor engine power for	<b>SOFTER 2,5 N</b>	<b>65 - 100 kW (90-140 HP)</b>
	<b>SOFTER 3 N</b>	<b>80 - 120 kW (105-160 HP)</b>
	<b>SOFTER 3,5 N</b>	<b>90 - 140 kW (120-190 HP)</b>
Requirement for the tractor's TPS	Spacing of the lower suspension joints (measured at the joint axes)	<b>1050±1,5 mm / 895±1,5 mm (41,34 in / 35,24 in)</b>
	∅of the hole of the lower suspension joints for the machine suspension pivots	<b>37,5 mm / 28,9 mm (1,48 in / 1,14 in)</b>
	∅of the hole of the upper suspension joint for the machine suspension pivot	<b>32,1 mm / 25,8 mm (1,26 in / 1,02 in)</b>

- Connect the machine using the TPS suspension to the lower arms of the rear TPS of the tractor, secure the TPS arms using pins against disconnecting.




**When connecting, no persons may stay in the space between the tractor and the machine.**

<b>Position of the bottom suspension pins in aggregation to Cat. 3 tractor hitch</b>	
	
<b>Position of the bottom suspension pins in aggregation to Cat. 2 tractor hitch</b>	
	

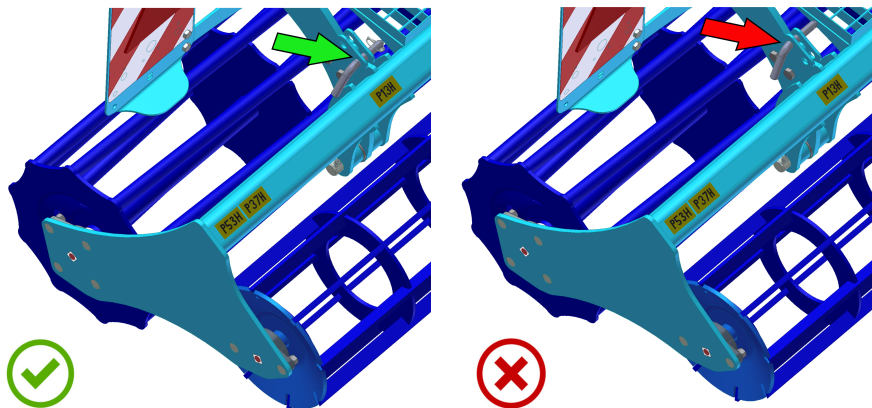
## 9 MACHINE TRANSPORT ON ROADS

### Transport Position of the machine

- 
  - Connect the machine by suspending on the tractor using the three-point suspension equipment.
  - Turn over the rear twin roller and secure it with the stopper (Fig. see below) – only if the machine is equipped with the rear twin roller.
  - The machine must be equipped with removable shields with marking of contours, functional lighting, and the board of the rear marking for slow vehicles (according to ECE No. 69).
  - The lighting must be activated during travelling on roads.
  - The tractor must be equipped with a special light device of an orange colour, which must be activated during travelling on roads.
  - Secure the lower shoulders of the tractor TPS from side swing.
  - The maximum transport speed during travelling on roads is **30 kph (18,6 mph)**.



### Ban of transport with decreased visibility!

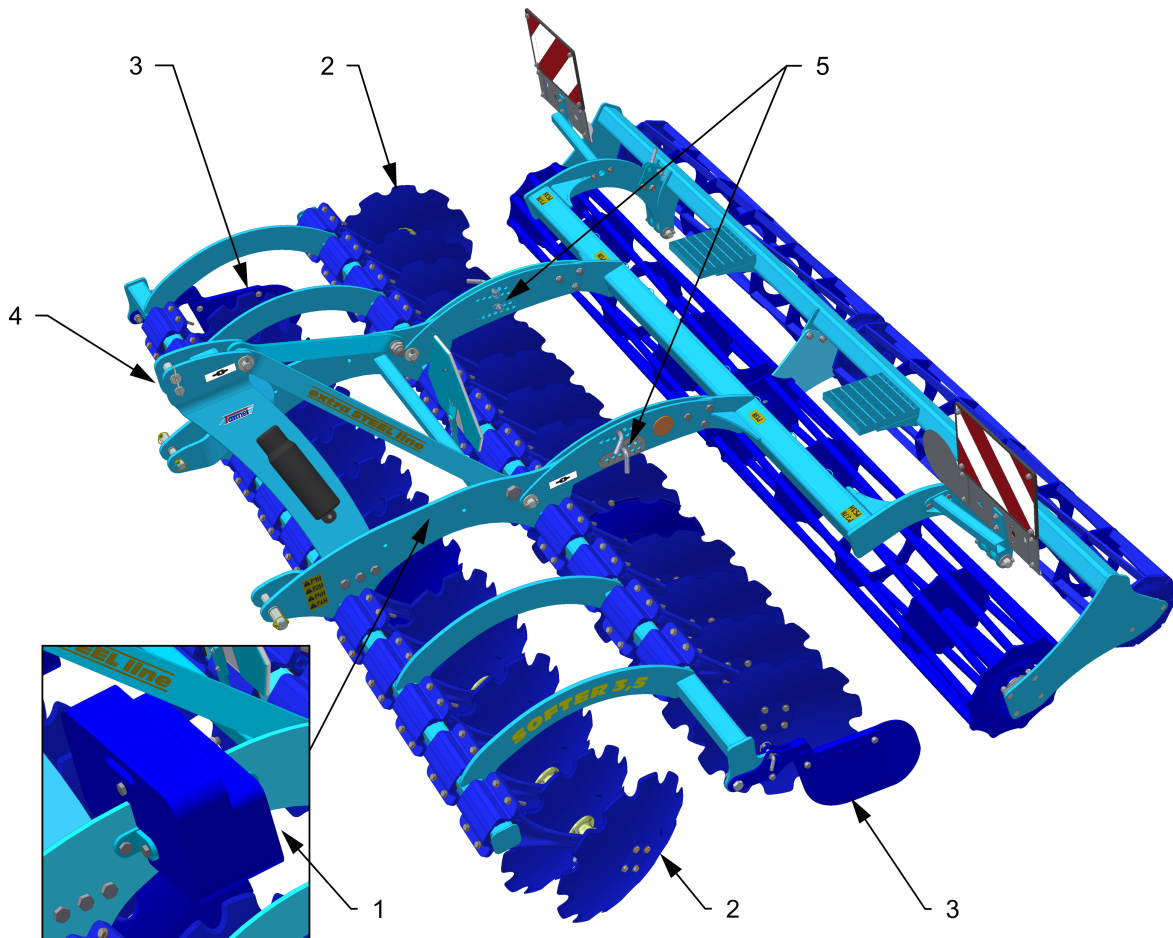


- The operator is obliged to pay increased attention during transport on roads, due to the transport dimensions of the machine.
- The operator must observe the valid regulations for transport on roads (laws, decrees) after connecting the machine to the tractor, for reason of a change of the axle load. The driving properties of the set also change depending on the terrain nature, adapt the manner of driving to these conditions.
- Only machines with a valid technical certificate issued in accordance with the valid regulation on the approval of technical qualification and operation on public communications as amended may be transported on public communications. Machines without a valid technical certificate may only be transported on public communications when carried by a towed trailer or other approved means of transport in accordance with the valid regulation.
- The operator is obliged to secure sufficient outlook during reversing from his position of the tractor driver. In case of insufficient outlook, the operator is obliged to call a competent and informed person.
- The operator must secure the arms of the rear TPS of the tractor in the transport position during road transport, i.e. prevent unexpected arm drop using the hydraulic arm control lever. At the same time, the arms of the rear TPS of the tractor must be secured against side swinging.
- During machine transport on roads, the operator must observe the valid laws and decrees that deal with this topic and which specify the relationships of the tractor axle load depending on transport speed.
- Clean the entire machine from any accumulated soil before the transportation on the road.

## 10 MACHINE ADJUSTMENT


- Disc plough-harrow is attached to the three-point suspension in the usual way. The lower arms of the hydraulic system must be at the same height from the ground. The working depth of the discs is provided in the technical parameters in Tab.1. The working depth range could be reduced due to wear on the discs. The working depth must be adjusted according to the land type and the soil conditions. It is not permissible for the bearing housings to be touching the soil surface during operation.
- For optimum penetration of the plough-harrow discs into harder soils, the machine can be fitted with additional weight, as shown in Fig.2.

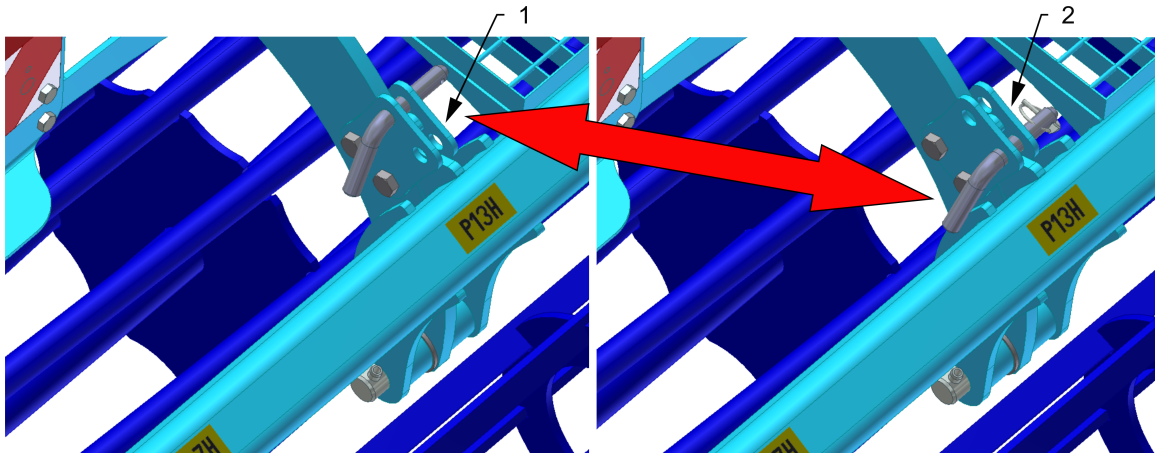
Fig. 2 - Machine adjustment spots



- 1 – Location of the additional weight of 350kg
- 2 – Edge disc
- 3 – Side deflector
- 4 – Third point TPS – Setting of machine longitudinal plane
- 5 – Working depth adjustment

## 10.1 Adjusting the working depth of the machine

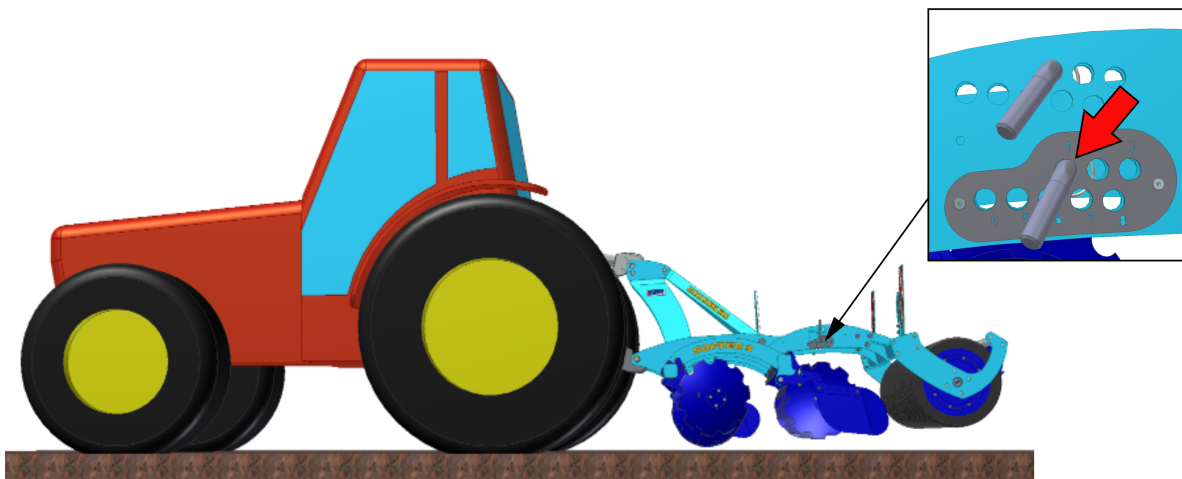
-  1. If the machine is fitted with a double-roller, remove the pin securing the roller during transport.



1 – Working position

2 – Transport position

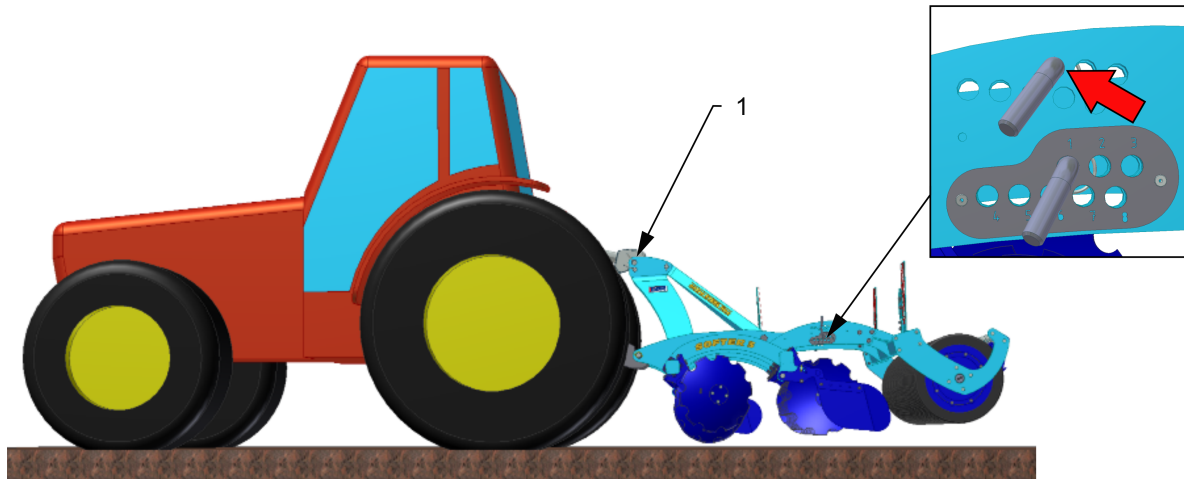
2. Set the working depth of the machine by the lower pin on the slot link of the rear frame of the roller according to Tabl.(see below). To release the pin, the machine must be lifted slightly in the tractor arms.



Discs Ø560 mm (22 in)	
Position of the lower pin	Approximate depth (mm / in)
1	35 / 1,38
2	50 / 1,97
3	60 / 2,36
4	75 / 2,95
5	90 / 3,54
6	100 / 3,94
7	110 / 4,33
8	120 / 4,72

9	130 / 5,12
---	------------

3. By positioning the tractor lower arms and adjusting the third point bar of the tractor, the longitudinal plane of the machine is set, and thus an even working depth of the first and second row of the discs is secured. When placing the machine on the discs, it is possible to re-adjust the upper pin on the slot link of the rear frame closest to the stop.

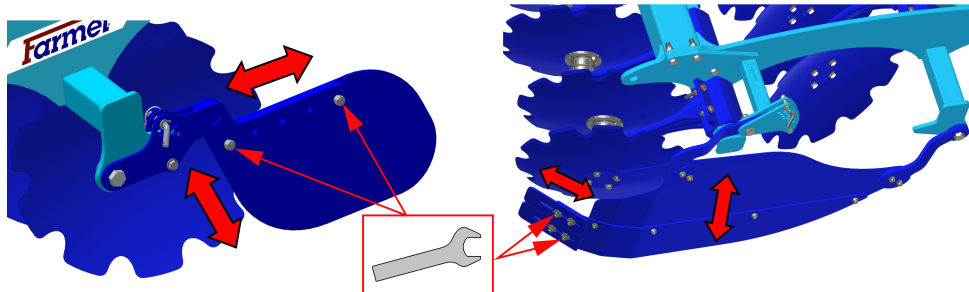


1 - Third point for setting the longitudinal plane

## 10.2 Setting side deflectors and edge discs

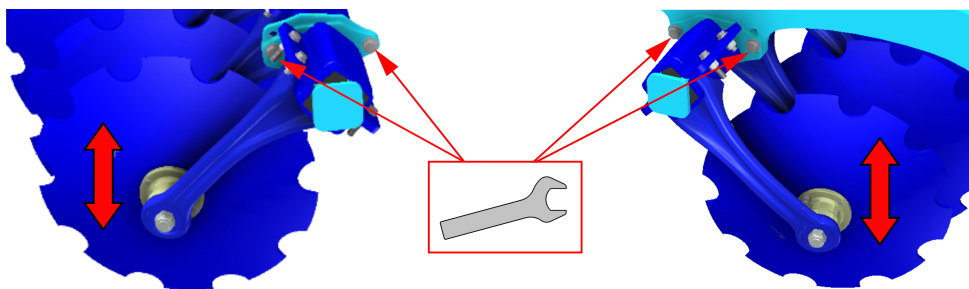
- According to the type and quantity of plant residues, it is necessary to set the side deflectors.

Options for side deflector settings



- The position of the edge discs is adjustable and they allow different recess against other discs. The adjustment is executed so that the working depth of the edge discs is lower (approx  $\frac{1}{2}$  -  $\frac{1}{4}$  of the depth of the other discs) so that no unevenness is created on the land.

Options for edge disc settings





## 11 MACHINE MAINTENANCE AND REPAIRS



**Observe the safety instructions for treatment and maintenance.**

- If it is necessary to weld during the repair and have the machine connected to the tractor, it must have disconnected supply cables from the alternator and the accumulator.
- Check the tightening of all screw and other assembly connections at the machine before every use of the machine, furthermore continuously as needed.
- Continuously check the wear of the working bodies of the machine, possibly replace these worn working bodies with new ones.
- Adjustment, cleaning, and lubrication of the machine may only be performed with the machine at rest (i.e. the machine is standing and not working).
- When working on a lifted machine, use suitable support equipment supported at marked points or at points suitable for that.
- During adjustment, cleaning, maintenance, and repair of the machine, you must secure those parts of the machine that could endanger the operator by falling or another movement.
- For catching the machine during handling using lifting equipment, use only the places marked with self-adhesive labels with the chain sign "—Ⓞ—".
- Upon a failure or damage of the machine, immediately turn off the tractor's engine and secure against restarting, secure the machine against movement — only then you can remove the failure
- During repairs of the machine, use exclusively the genuine spare parts, suitable tools and protective equipment.
- Regularly check the prescribed pressure in the machine tyres and the condition of the tyres. Perform possible repairs of the tyres in an expert workshop.
- Keep the machine clean.

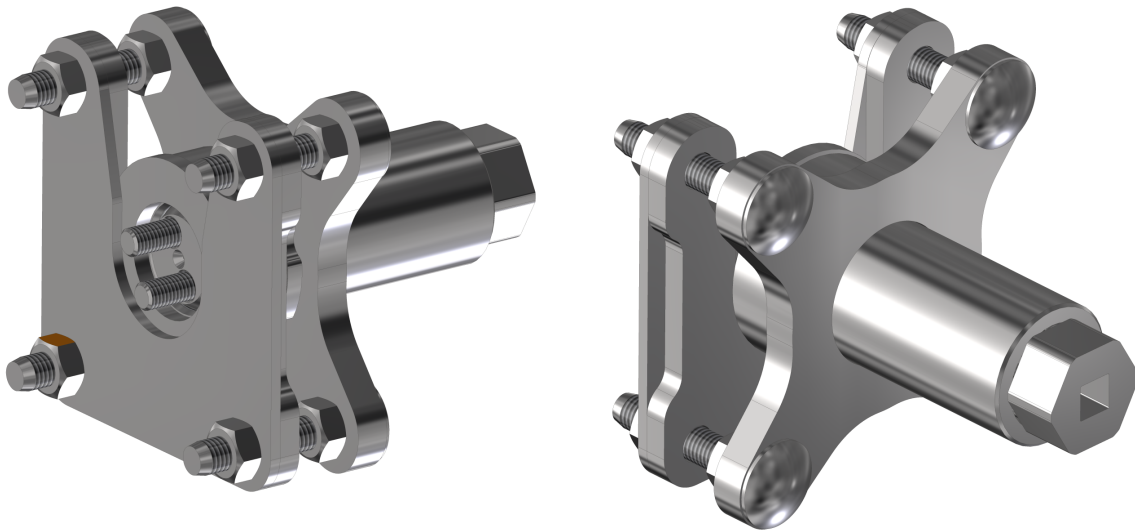
### 11.1 Replacement of the working roller bearings

- Always follow the safety regulations and directives when replacing the bearings of rollers.
- The machine must be aggregated with the tractor according to Chapter “8.1” when replacing the bearings. The tractor engine must be switched off for the replacement of bearings and the operator, or repairman, must prevent any access to unauthorised persons to the tractor
- Only replace the roller bearings on a solid and flat ground and when the machine is in standstill.

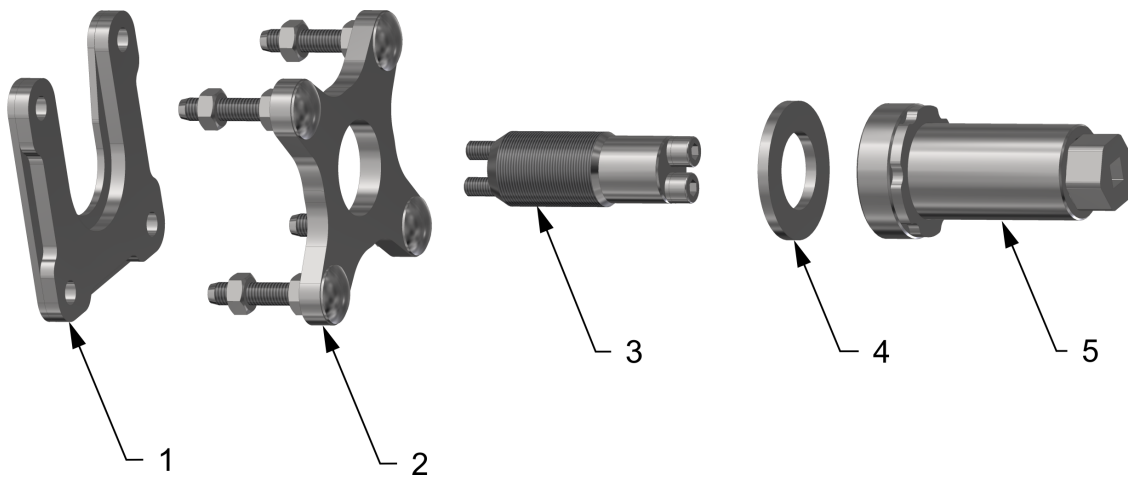
<p>1 – Roller bearing</p>	<p>1 – Bolt                  2 – Spacers                  3 – Pin cylinder  <math>\varnothing D</math> – 40 mm – Bolt M10 (50 Nm) / M8 (20 Nm)  <math>\varnothing D</math> – 45 mm – Bolt M12 (86 Nm) / M10 (20 Nm)  <math>\varnothing D</math> – 50 mm – Bolt M12 (86 Nm) / M10 (20 Nm)  <math>\varnothing D</math> – 60 mm – Bolt M12 (86 Nm) / M10 (20 Nm)</p>

### 11.1.1 Using the tool for bearing disassembly and assembly

- The location of the equipment on the machine can be found in the spare parts catalogue.



Tool parts

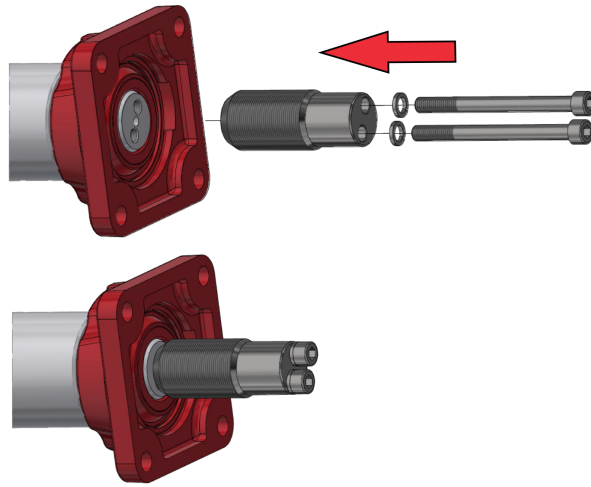


- 1 – Part for disassembling the bearing ring
- 2 – Part for disassembling the bearing or bearing ring
- 3 – Tool pin + bolts
- 4 – Liner
- 5 – Tool body

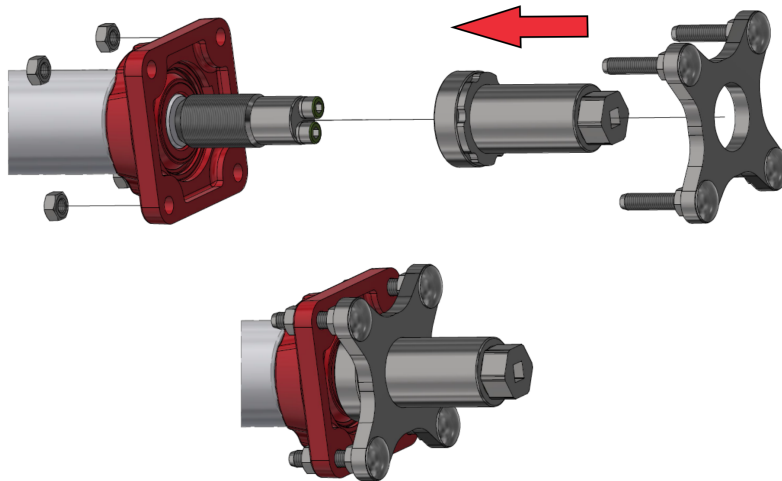
**11.1.1.1 Complete bearing disassembly**

• Procedure:

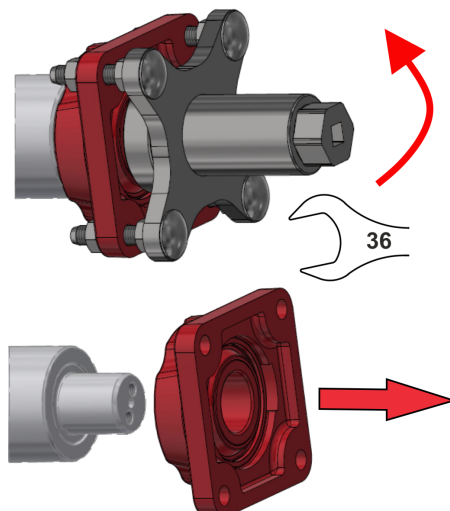
1. Mount and screw the tool pin onto the cylinder pin



2. Screw the tool body in, insert the part for bearing disassembly and mount onto the bearing using the nuts



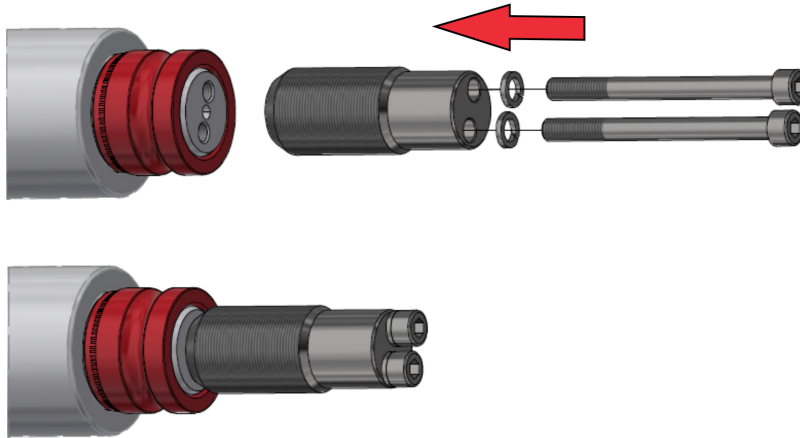
3. Disassemble the bearing by screwing the tool body using spanner size 36



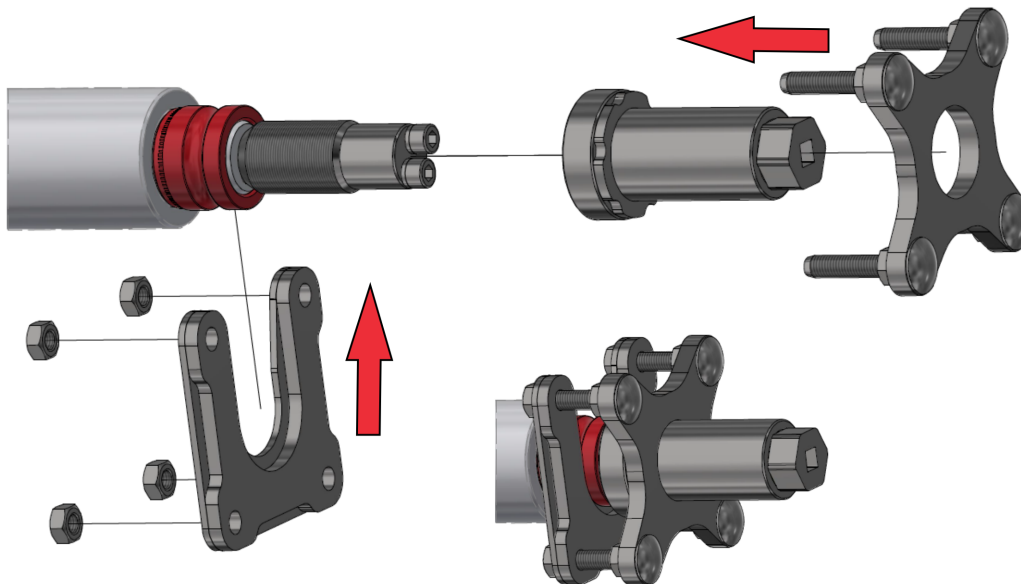
**11.1.1.2 Disassembly of the ring**

- Procedure:

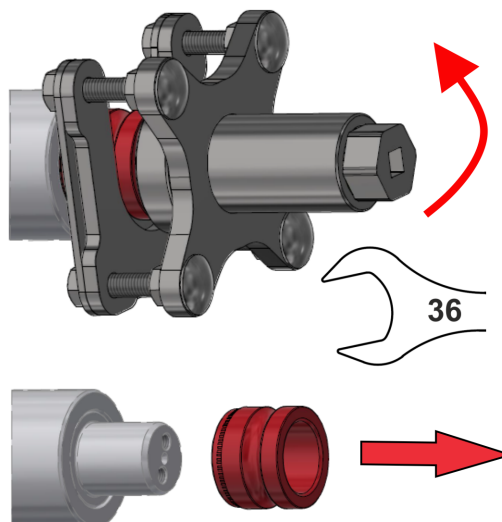
1. Mount and screw the tool pin onto the cylinder pin



2. Screw the tool body, mount the part for disassembling the bearing, mount the part for disassembling the ring and attach it using the nuts



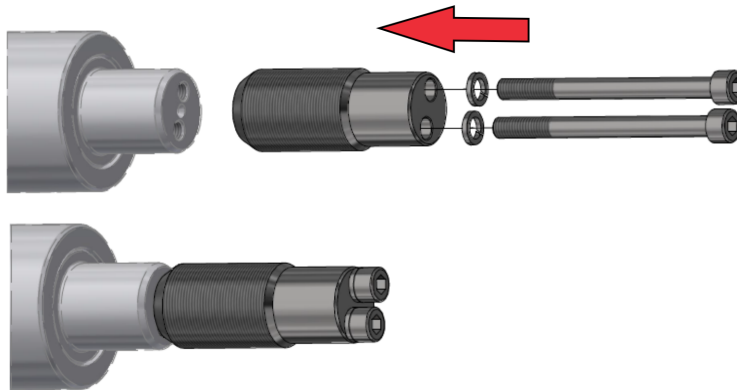
3. Disassemble the ring by screwing the tool body using spanner size 36



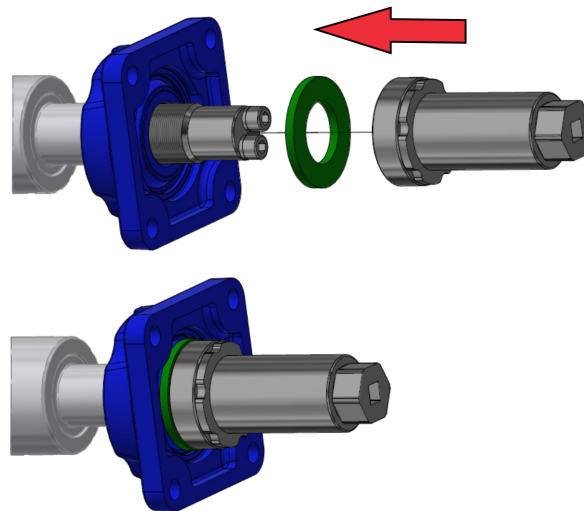
**11.1.1.3 Assembling bearings onto pins**

• Procedure:

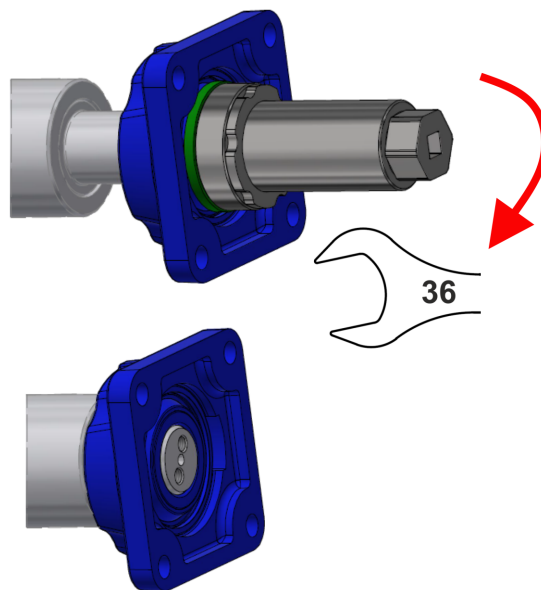
1. Mount and screw the tool pin onto the cylinder pin



2. Mount the bearing + liner and screw the tool body in



3. Assemble the bearing by screwing the tool body using spanner size 36



### 11.1.2 Using spacers

The spacers are used for defining production tolerances. Therefore, they do not have to be always used.

- Mount the house bearings to the rollers
- Insert the roller with the bearings between the frame side plates and assess whether you need to use the SPACERS

<p>1 – Spacers</p>	<p>1 – Side plates                  2 – Spacers                  3 – House bearing                  4 – Pin cylinder                  5 – Bolt  <b>Parameter "X" = is there a gap?</b>                  YES = Use spacers                  NO = Do not use spacers</p>

## 12 MACHINE STORAGE

### Long-term machine shutdown:

- Store the machine on a flat and solid surface with sufficient load capacity.
- Clean the machine before storing and conserve so that it is not damaged in any way during storage. Pay special attention to all marked lubrication points and properly lubricate them according to the lubrication plan.
- The operator must place the machine in its working position, i.e. the machine is lying on the discs and roller in a covered area.
- Secure the machine against access of unauthorised persons.



## 13 MACHINE LUBRICATION SCHEDULE

- The machine is completely maintenance free when it comes to lubrication. Therefore, it is not necessary to lubricate the machine.

## 14 ENVIROMENTAL PROTECTION

- Handle oils and greases according to valid waste laws and regulations.

## 15 MACHINE DISPOSAL AFTER SERVICE LIFE EXPIRY

- The operator must secure during machine disposal that steel parts and parts, in which hydraulic oil or lubricating grease moves are differentiated.
- Steel parts must be cut by the operator while observing safety regulations and handed over to the secondary raw material collection point. He must proceed with other parts according to valid laws about waste.

## 16 SERVICING AND WARRANTY CONDITIONS

### 16.1 Servicing

Servicing is secured by the dealer after consulting with the manufacturer, possibly directly by the manufacturer. Spare parts then using the sales network by individual sellers in the entire country. Use only the spare parts according to the spare parts catalogue officially issued by the manufacturer.

### 16.2 Warranty



- 1.** The manufacturer provides a basic warranty for the product for a period of 12 months. In the case of immediate registration of the sale to the end customer, including their valid contact details, the end customer receives an extended warranty of 36 months. The warranty is provided from the date the product is handed over to the end user (buyer). The registration must be completed by the seller (sales representative) on the My Farmet online portal. Upon correct registration, the end user will gain access to the My Farmet portal and all the benefits of the extended warranty.
- 2.** The warranty covers hidden defects that manifest during the warranty period under proper use of the machine and in compliance with the conditions specified in the Operating Manual.
- 3.** The warranty does not cover consumable spare parts, i.e., normal mechanical wear and tear of replaceable working parts (shares, discs, harrow tines, roller bearings, etc.).
- 4.** The warranty is tied to the machine and does not terminate with a change of ownership. The extended warranty is conditional upon registering the new owner's contact details in the My Farmet portal.
- 5.** The warranty is limited to disassembly and assembly, replacement, or repair of the defective part. The decision on whether the defective part will be replaced or repaired lies with the manufacturer, Farmet.
- 6.** During the warranty period, repairs or other interventions on the machine may only be carried out by an authorized service technician of the manufacturer. Otherwise, the warranty will not be recognized. This provision does not apply to the replacement of consumable spare parts (see point 3).
- 7.** The warranty is conditional upon the use of original spare parts supplied by the manufacturer.

2012/009/03

(CZ) ES PROHLÁŠENÍ O SHODĚ  
 (GB) CE CERTIFICATE OF CONFORMITY  
 (D) EG-KONFORMITÄTSEKTLÄRUNG  
 (F) DÉCLARATION CE DE CONFORMITÉ  
 (RU) СЕРТИФИКАТ СООТВЕТСТВИЯ ЕС  
 (PL) DEKLARACJA ZGODNOŚCI WE

1. (CZ) My (GB) We (D) Wir (F) Nous (RU) Мы (PL) My: **Farmet a.s.**  
 Jiřinková 276  
 552 03 Česká Skalice  
 Czech Republic  
 DIČ: CZ46504931  
 Phone: +420 491 450 111

(CZ) Vydáváme na vlastní zodpovědnost toto prohlášení. (GB) Hereby issue, on our responsibility, this Certificate. (D) Geben in alleiniger Verantwortung folgende Erklärung ab. (F) Publiions sous notre propre responsabilité la déclaration suivante. (RU) Под свою ответственность выдаем настоящий сертификат. (PL) Wydajemy na własną odpowiedzialność niniejszą Deklarację Zgodności.

2. (CZ) Strojní zařízení: - název : **Diskový podmítač**  
 (GB) Machine: - name : **Disk plough-harrow**  
 (D) Fabrikat: - Bezeichnung : **Kurzscheibenegge**  
 (F) Machinerie: - dénomination : **Déchaumeur à disques**  
 (RU) Сельскохозяйственная машина: - наименование : **Дисковый луцильник**  
 (PL) Urządzenie maszynowe: - nazwa : **Talerzowy pług podorywkowy**
- typ, type : **SOFTER**  
 - model, modèle : **SOFTER 2,5 N | 3 N | 3,5 N**  
 - (CZ) výrobní číslo :   
 - (GB) serial number  
 - (D) Fabriknummer  
 - (F) n° de production  
 - (RU) заводской номер  
 - (PL) numer produkcyjny

3. (CZ) Příslušná nařízení vlády: č. 176/2008 Sb. (směrnice 2006/42/ES). (GB) Applicable Governmental Decrees and Orders: No. 176/2008 Sb. (Directive 2006/42/ES). (D) Einschlägige Regierungsverordnungen (NV): Nr. 176/2008 Slg. (Richtlinie 2006/42/ES). (F) Décrets respectifs du gouvernement: n°.176/2008 du Code (directive 2006/42/CE). (RU) Соответствующие постановления правительства: № 176/2008 Сб. (инструкция 2006/42/ES). (PL) Odpowiednie rozporządzenia rządowe: nr 176/2008 Dz.U. (Dyrektywa 2006/42/WE).

4. (CZ) Normy s nimiž byla posouzena shoda: (GB) Standards used for consideration of conformity: (D) Das Produkt wurde gefertigt in Übereinstimmung mit folgenden Normen: (F) Normes avec lesquelles la conformité a été évaluée: (RU) Normы, на основании которых производилась сертификация: (PL) Normy, według których została przeprowadzona ocena: ČSN EN ISO 12100, ČSN EN ISO 4254-1.

(CZ) Schválil (GB) Approve by date: 02.01.2024  
 (D) Bewilligen (F) Approuvé  
 (RU) Утвердил (PL) Uchwalił

**Ing. Petr Lukášek**  
 Technical director



V České Skalici date: 02.01.2024

**Ing. Tomáš Smola**  
 Director of the Agricultural Technology Division

